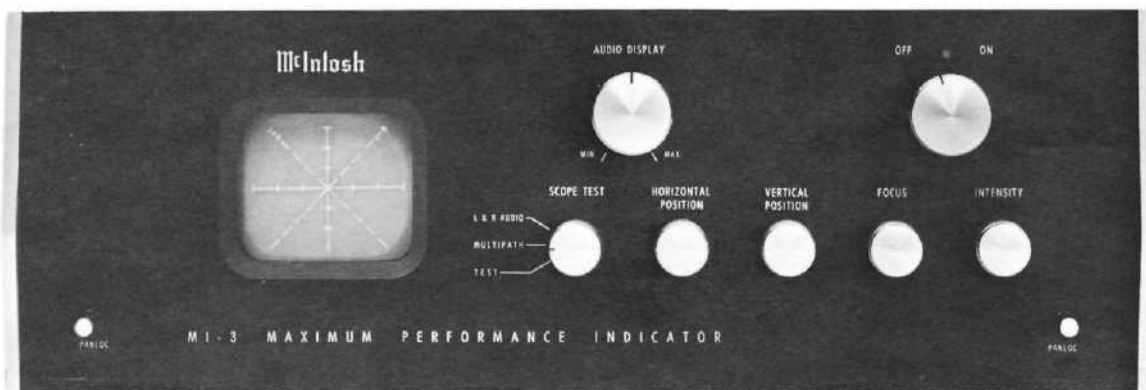


McIntosh

MI-3

MAXIMUM PERFORMANCE INDICATOR



SERVICE INFORMATION

STARTING WITH SERIAL NO, 10E01

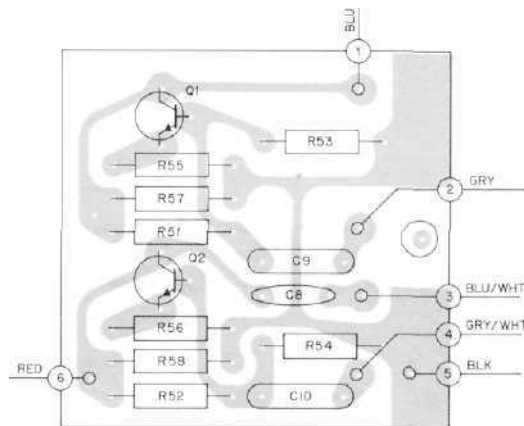
McINTOSH LABORATORY INC. 2 CHAMBERS STREET BINGHAMTON, NEW YORK

MI-3

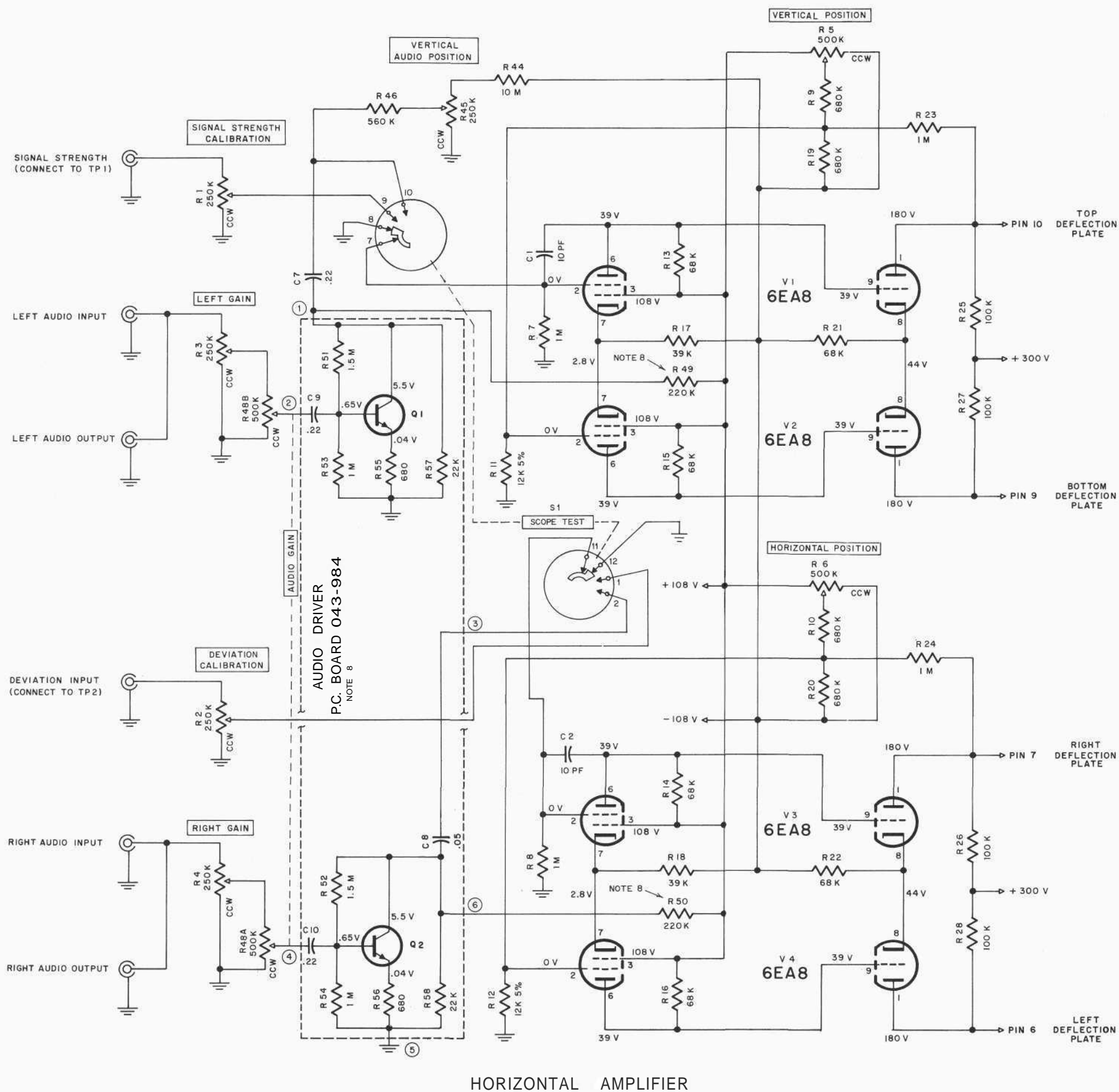
SCHEMATIC NOTES

1. Unless otherwise specified: Resistance values are in ohms, 1/2 watt, and 10% tolerance; capacitance values are in microfarads (μF).
2. Printed circuit board components are outlined on the schematics by dotted lines. The circled numbers around the dotted lines correspond to the numbers on the PC Board layouts.
3. The terminal numbering of rotary switches is for reference only.
4. All voltages indicated on the schematics are measured under the following conditions:
 - a. Use of an 11 megohm input impedance VTVM.
 - b. All voltages $\pm 10\%$ with respect to chassis ground.
 - c. No signal at input or antenna terminals.
 - d. AC Input at 117 volts, 50/60 Hz.
 - e. Mode selector at test position.
5. In units with Serial No's below 10E26, two neon bulbs (McIntosh Part No. 058-002) are used in place of R59.
6. In units with Serial No's from 10E26 to 15E00, R60 and R61 are used.
7. In units with Serial No's below 13E00, a 6W4 rectifier tube (McIntosh Part No. 165-016) is used in place of SR7.
8. In early units, PC Board 043-984 and R43 and R50 are not used. The arm of R48A is connected directly to pin No. 2 of S1 and the arm of R48B is connected directly to C7.

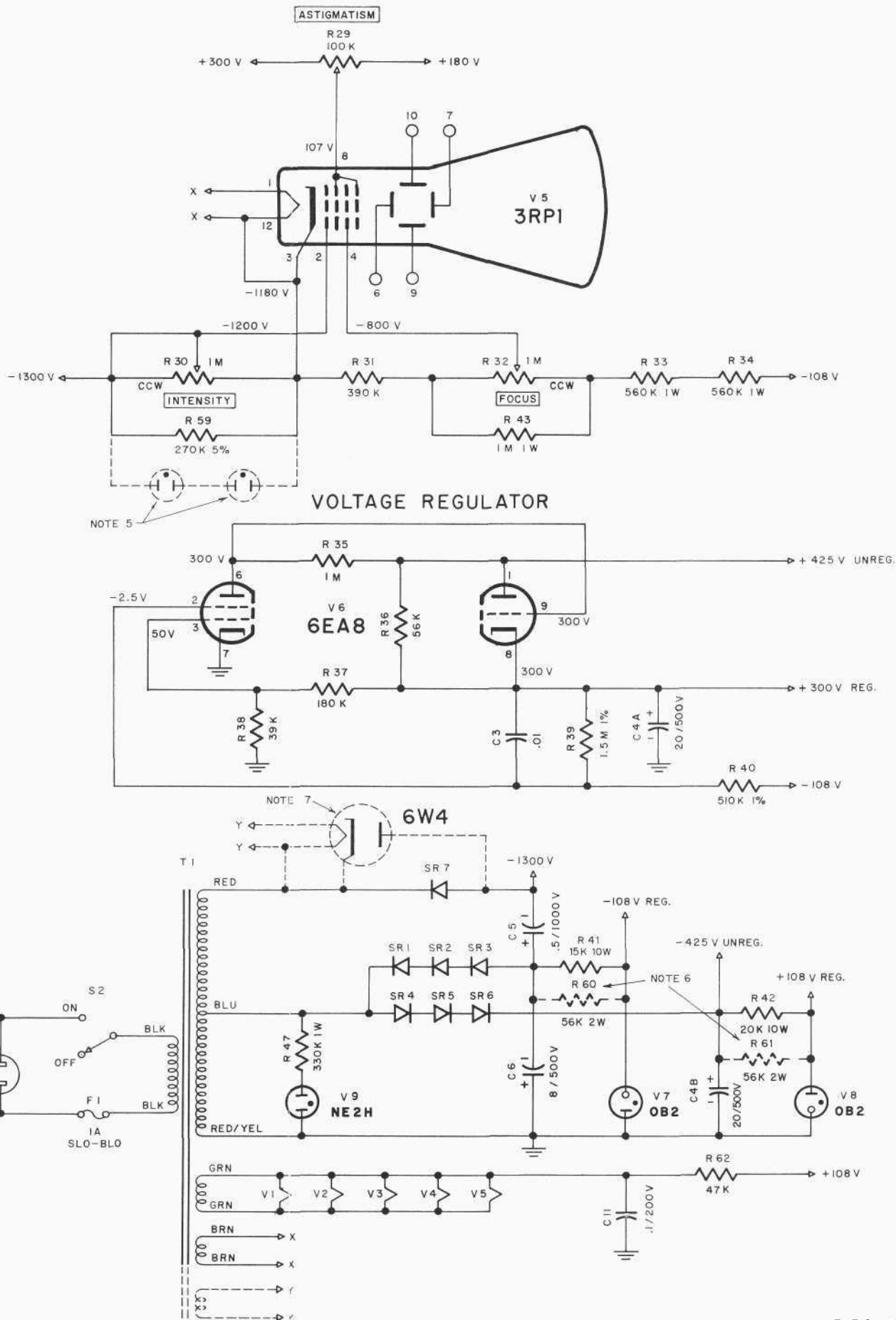
AUDIO DRIVER
P.C. BOARD 043-984



VERTICAL AMPLIFIER



C.R.T. CIRCUIT



REPLACEMENT PARTS

All parts not listed are common items obtainable from radio parts jobbers.

Replacement parts may be obtained when ordered by PART NUMBER from:

McIntosh Laboratory, Inc.
Customer Service Department
2 Chambers Street
Binghamton, New York 13903
(telephone 607-723-3512)

CAPACITORS

| Symbol Number | Description | Part Number |
|---------------|----------------------------------|-------------|
| C3 | Mylar .01 μ F 400V | 064-002 |
| C4 | Elect. 20/20 μ F 500/500V | 066-025 |
| C5 | Mylar -5 μ F 1000V | 064-023 |
| C6 | Elect. 8 μ F 475V | 066-052 |
| C7 | Mylar .22 μ F 200V | 064-013 |
| C9,10 | Mylar .22 μ F 250V | 064-043 |
| C11 | Mylar .1 μ F 200V | 064-011 |

DIODES

| | | |
|-------|---------------|---------|
| SR1,2 | Se. rectifier | 070-005 |
| SR3,4 | Se. rectifier | 070-005 |
| SR5,6 | Se. rectifier | 070-005 |
| SR7 | Se. rectifier | 070-026 |

FUSES

| | | |
|----|-----------------|---------|
| F1 | Fuse 1A slo-blo | 089-001 |
|----|-----------------|---------|

TRANSISTORS

| | | |
|------|--------------------|---------|
| Q1,2 | Si. NPN transistor | 132-057 |
|------|--------------------|---------|

LAMPS

| | | |
|------|-----------|---------|
| NE2H | Neon tube | 058-009 |
|------|-----------|---------|

TRANSFORMERS

| | | |
|----|-------------------|---------|
| T1 | Power transformer | 159-068 |
|----|-------------------|---------|

POTENTIOMETERS

| | | |
|-----|----------------------|---------|
| R1 | Signal strength cal. | 134-206 |
| R2 | Deviation cal. | 134-206 |
| R3 | Left gain | 134-206 |
| R4 | Right gain | 134-206 |
| R5 | Vertical position | 134-206 |
| R6 | Horizontal position | 134-044 |
| R29 | Astigmatism | 134-047 |
| R30 | Intensity | 134-041 |
| R32 | Focus | 134-041 |

| | | |
|-----|-------------------------|---------|
| R45 | Vertical audio position | 134-206 |
| R48 | Audio gain | 134-171 |

RESISTORS

| | | |
|-----|-----------------------|---------|
| R41 | Wirewound 15k 10% 10W | 139-040 |
| R42 | Wirewound 20k 10% 10W | 139-018 |

SWITCHES

| | | |
|----|-----------------|---------|
| S1 | Selector switch | 146-100 |
| S2 | Power on-off | 146-040 |

TUBES

| | | |
|------|------------|---------|
| V1,2 | 6EA8 | 165-044 |
| V3,4 | 6EA8 | 165-044 |
| V5 | 3RP1 (CRT) | 165-028 |
| V6 | 6EA8 | 165-044 |
| V7,8 | 0B2 | 165-027 |

FRONT PANEL & TRIM

| | |
|----------------------------|---------|
| Front panel | 043-697 |
| Front panel end cap: right | 018-132 |
| Front panel end cap: left | 018-133 |
| Power knob | 043-253 |
| Audio display knob | 043-253 |
| Intensity knob | 043-478 |
| Focus knob | 043-478 |
| Vertical position knob | 043-478 |
| Horizontal position knob | 043-478 |
| Scope test knob | 043-806 |

MOUNTING SYSTEM

| | |
|------------------------|---------|
| Shelf bracket: right | 043-427 |
| Shelf bracket: left | 043-428 |
| Mounting template #100 | 038-179 |
| Hardware package | 043-458 |

MISCELLANEOUS ITEMS

| | |
|-----------------|---------|
| Fuseholder | 178-001 |
| AC power cord | 170-021 |
| Shipping carton | 043-943 |
| Owners manual | 038-142 |
| Audio cable | 170-015 |